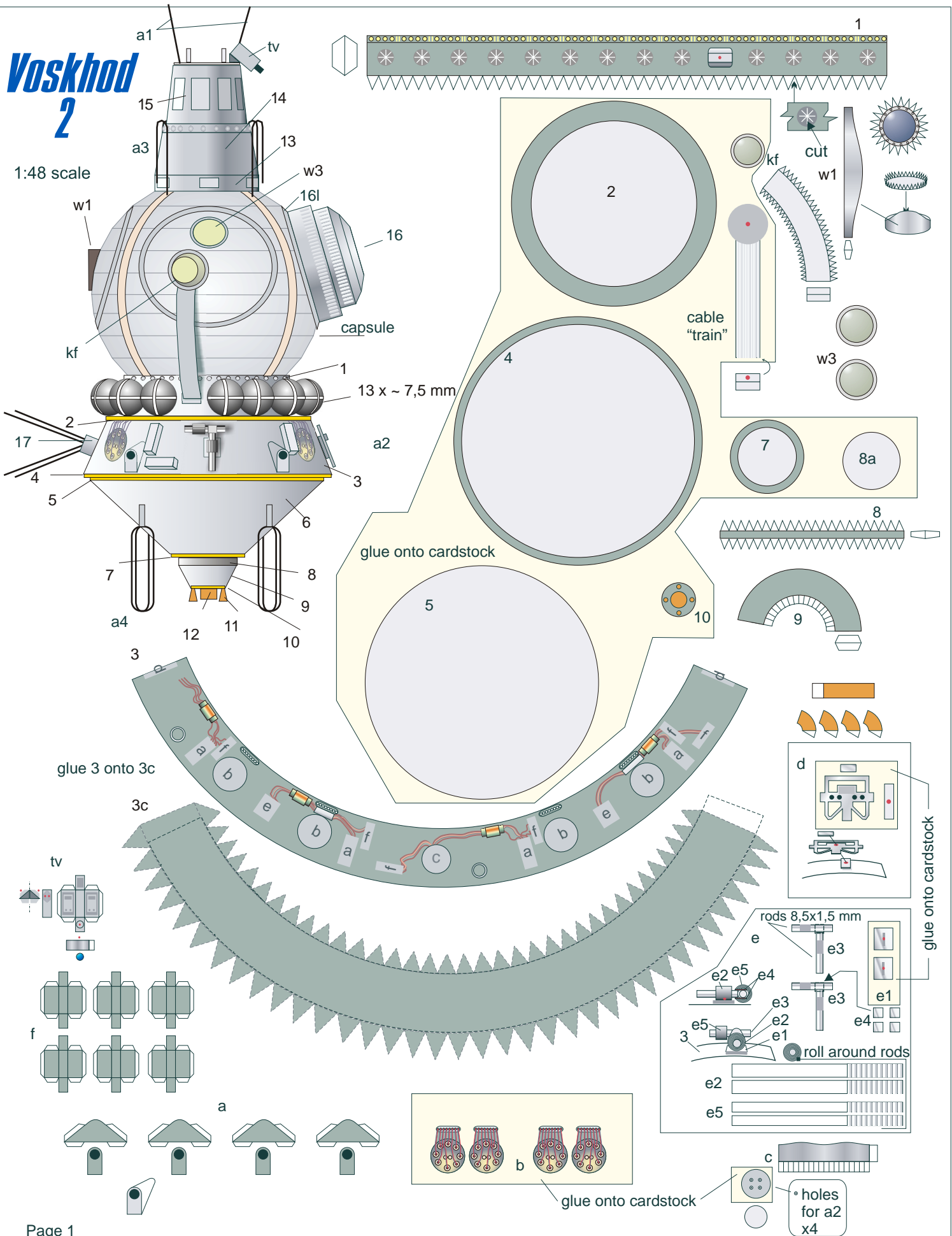
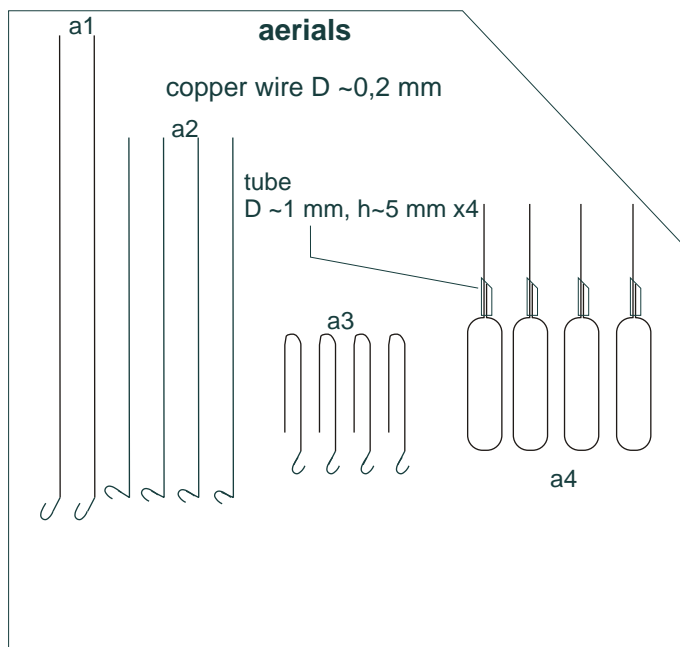
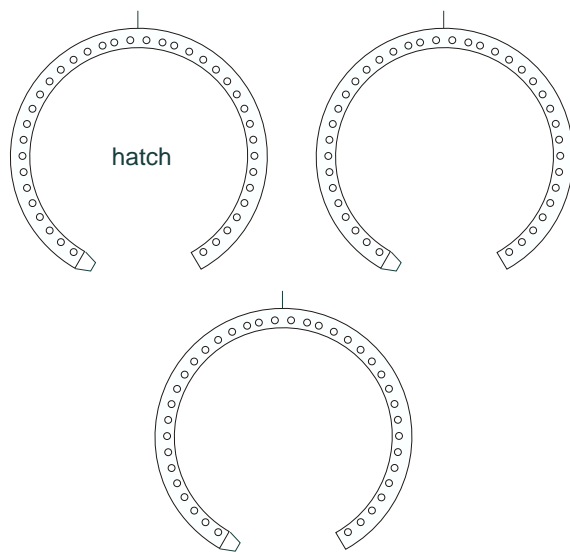
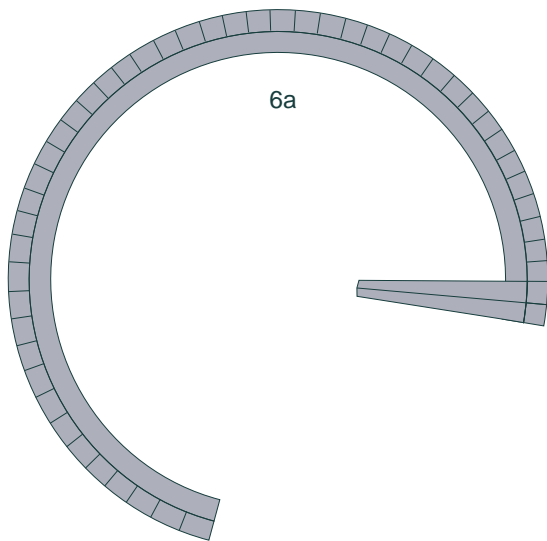
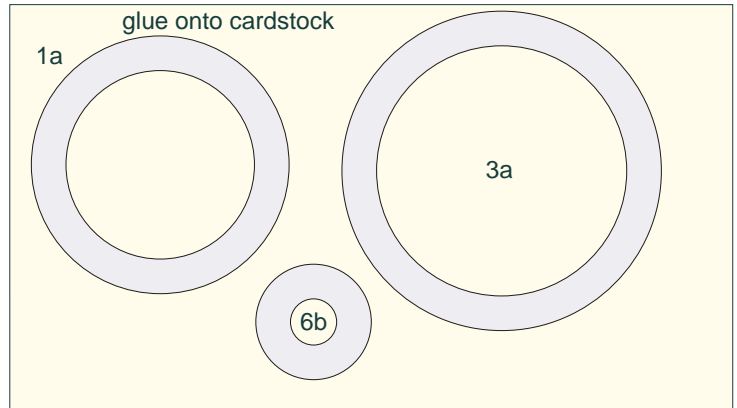
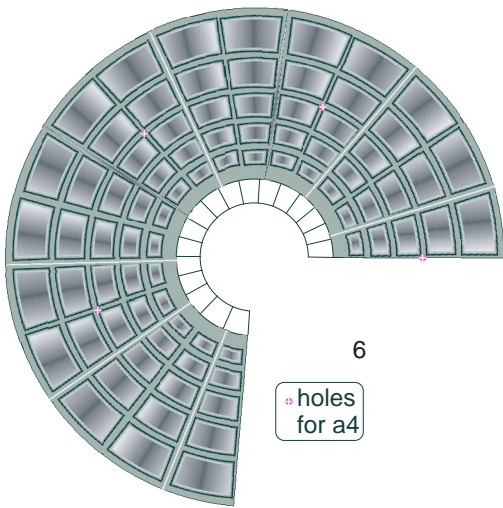


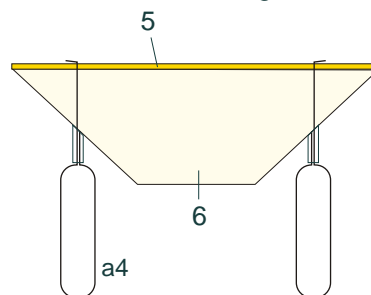
Voskhod 2

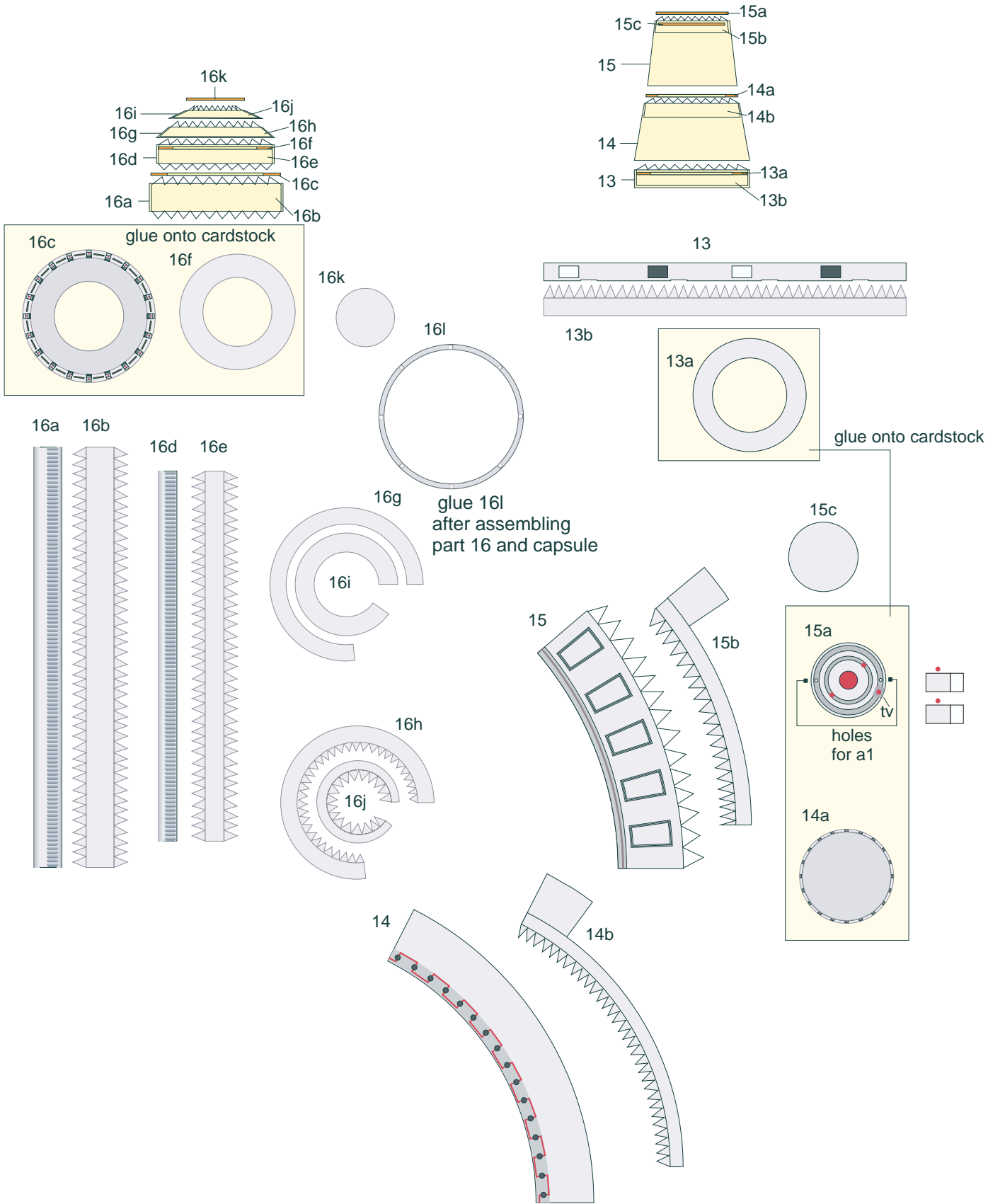
1:48 scale



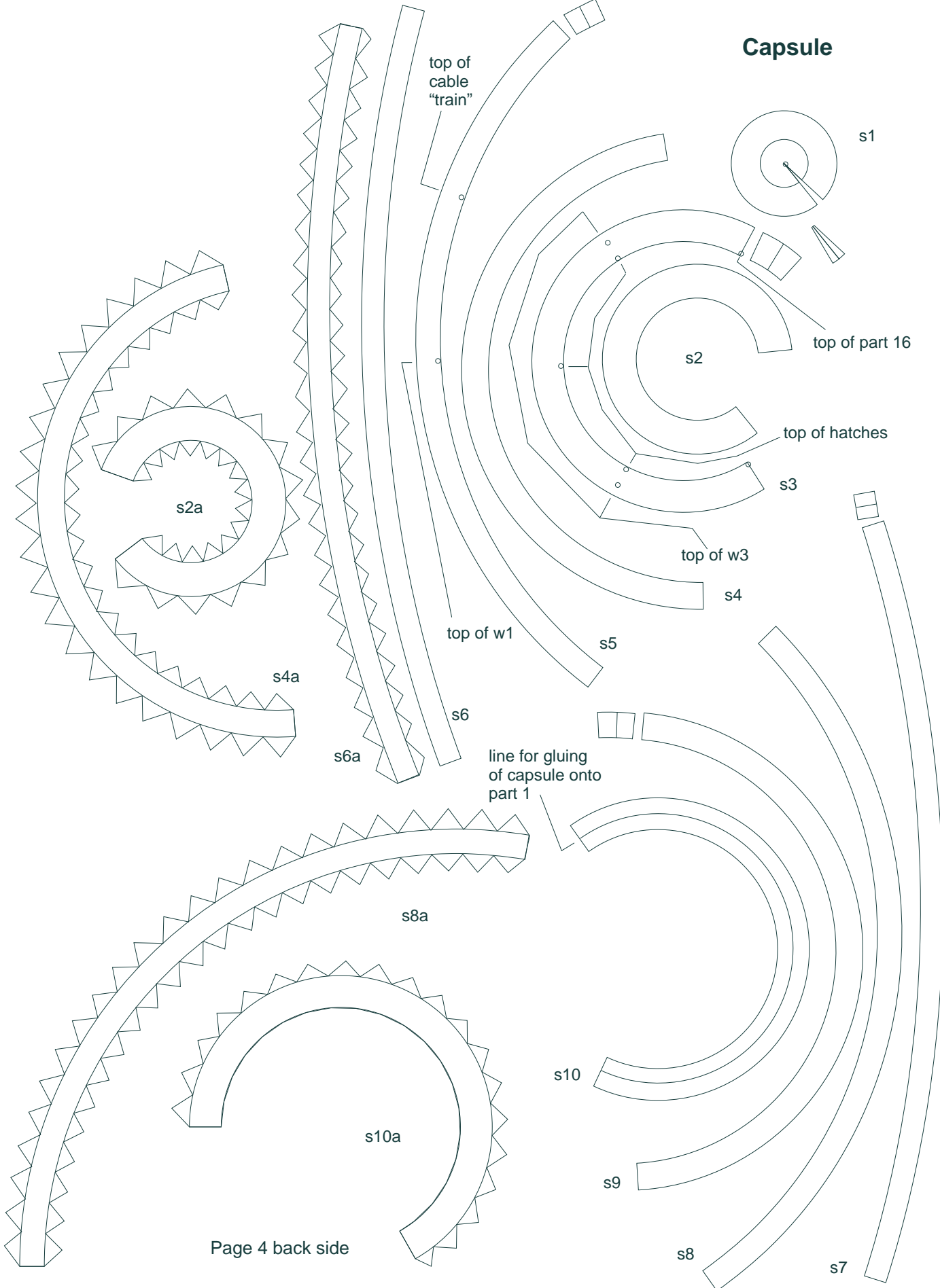


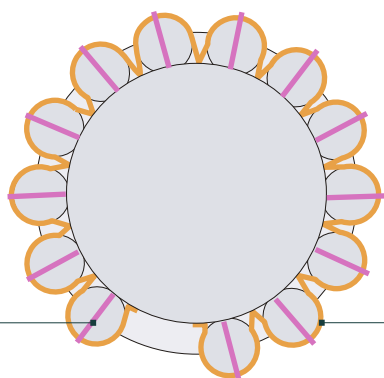
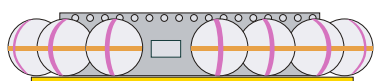
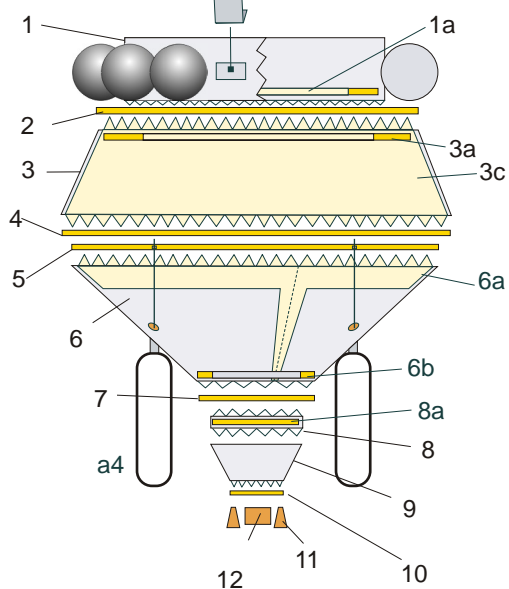
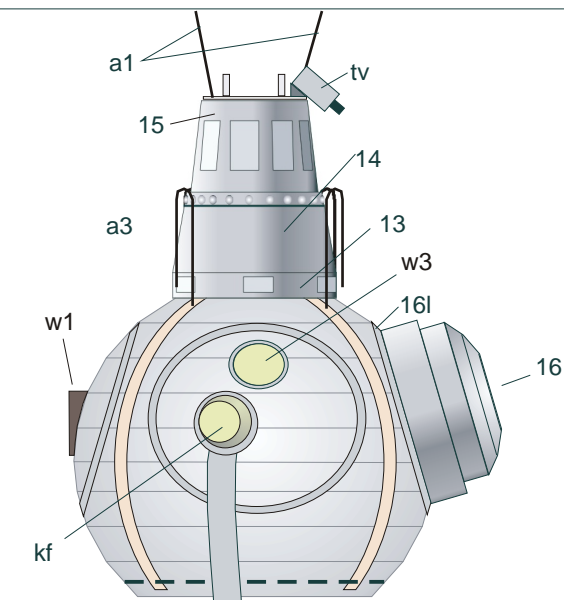
Transfix part 5 by needle through holes in part 6 in right angle to part 5. Insert each a4 with tube to holes of parts 5 & 6 and fold its ends as shown on diagram.





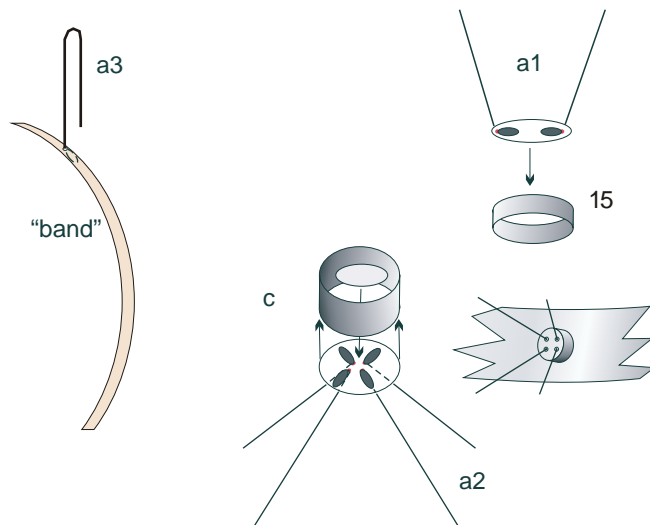
Capsule





glue "bands" over gas-balloons
 1 long "silver" strip 1mm x 280 mm
 13 short "silver" strips 1mm x 22 mm

Assembling of aerials



Assembling of Capsule (use PVA glue!)

First glue s2 onto s2a, s4 onto s4a and s6 onto s6a; then assembly hemisphere from s1 to s6.

Unroll junctions on the inside of hemisphere by relatively small hard ball.

Glue s8 onto s8a and s10 onto s10a; assembly parts from s10 to s7. Unroll junctions. Assemble all to make the sphere. It is advisable to build Capsule **without a break**.

Glue hatches.

After glue dry up, it should caulk a chinks in joints if need and paint surface by silver spray.

The rest parts of Capsule should be glued after spray dry up.